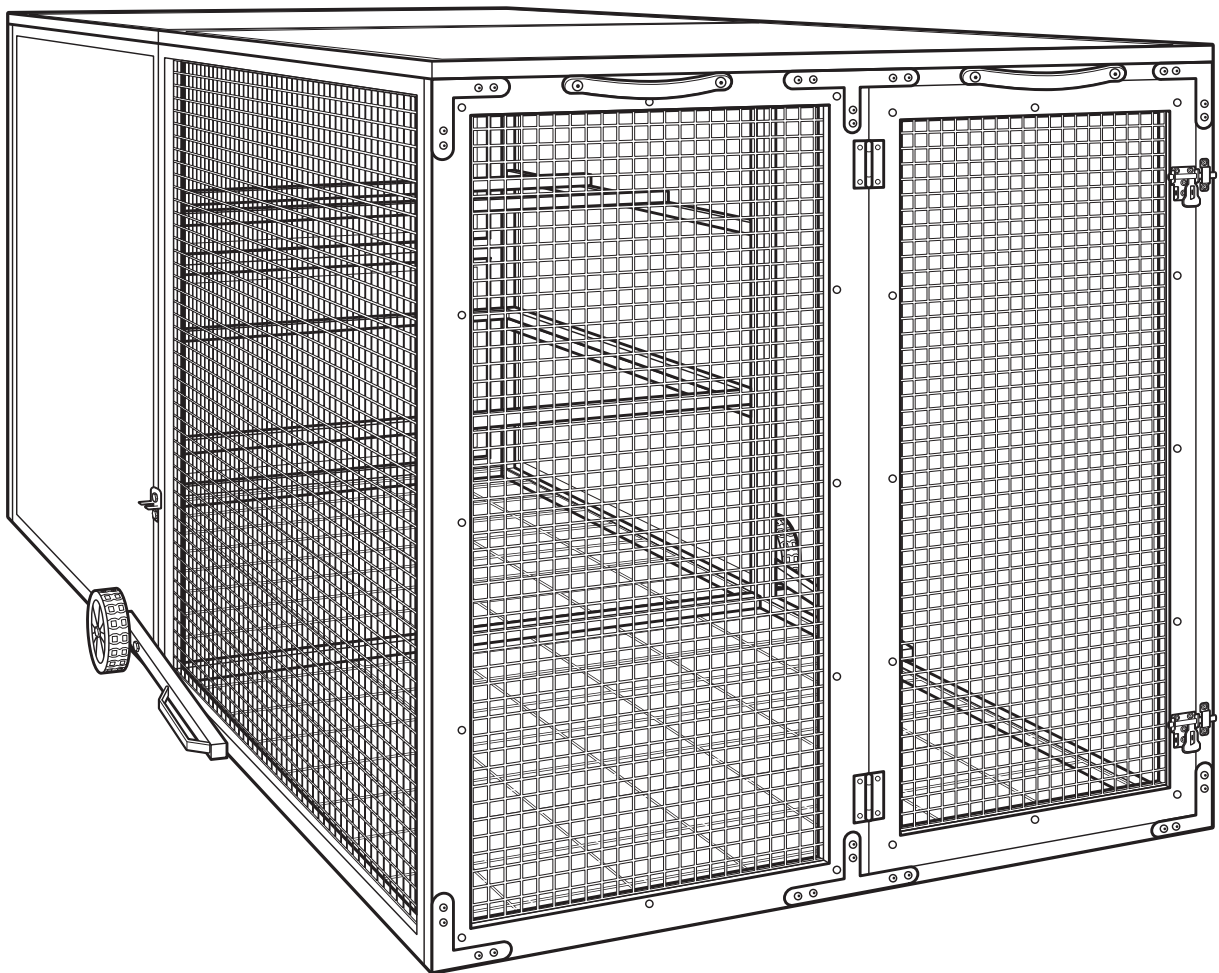


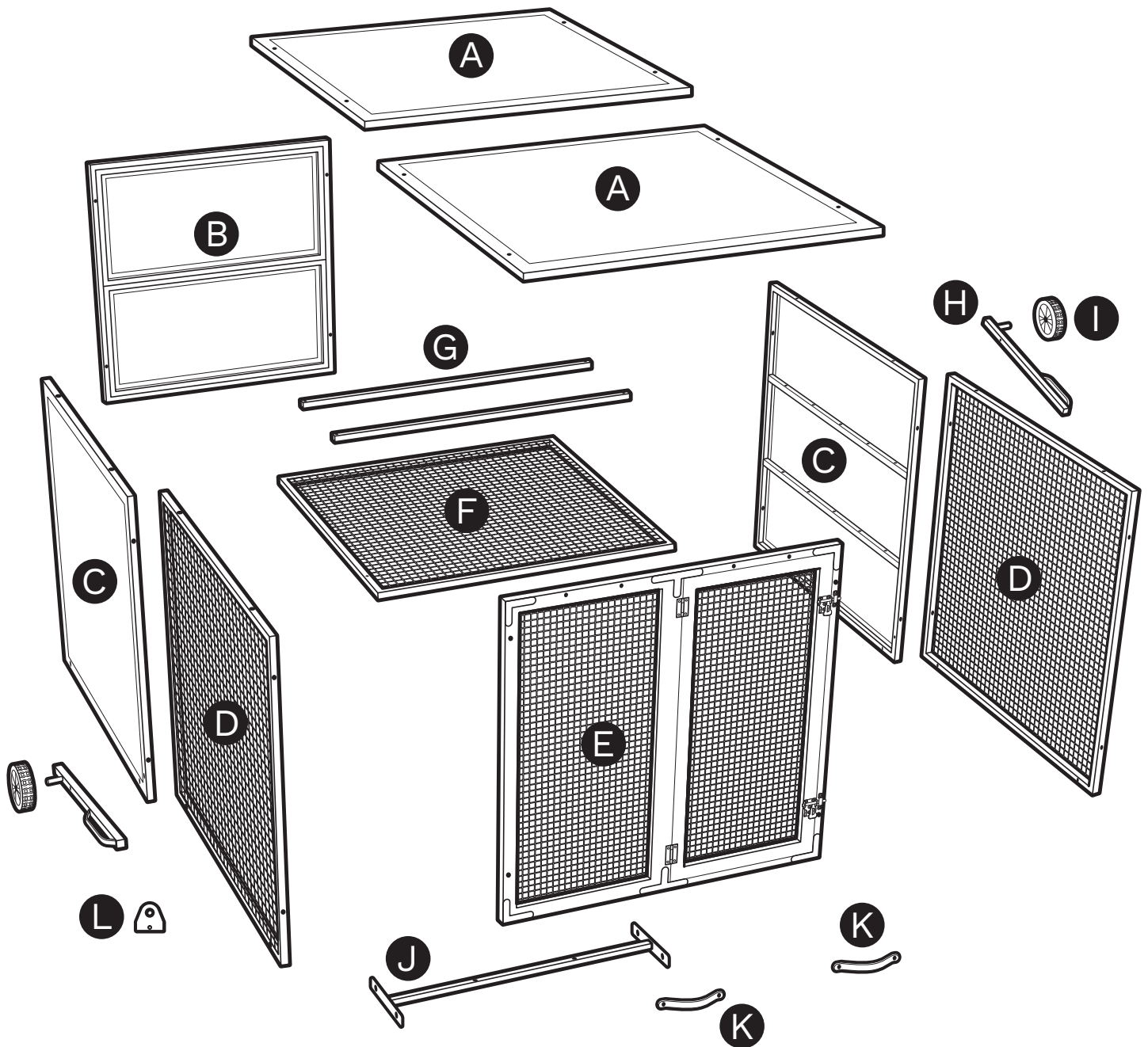


Mobile Chicken Coop

Assembly Instructions



Included in your Mobile Chicken Coop



Panels:

- A. 2 x Steel Sheeted End Roof Panels
- B. 1 x Rear Panel

- C. 2 x Steel Sheeted Wall Panels
- D. 2 x Mesh Wall Panels

- E. 1 x Mesh Door Panel
- F. 1 x Mezzanine Floor Panel

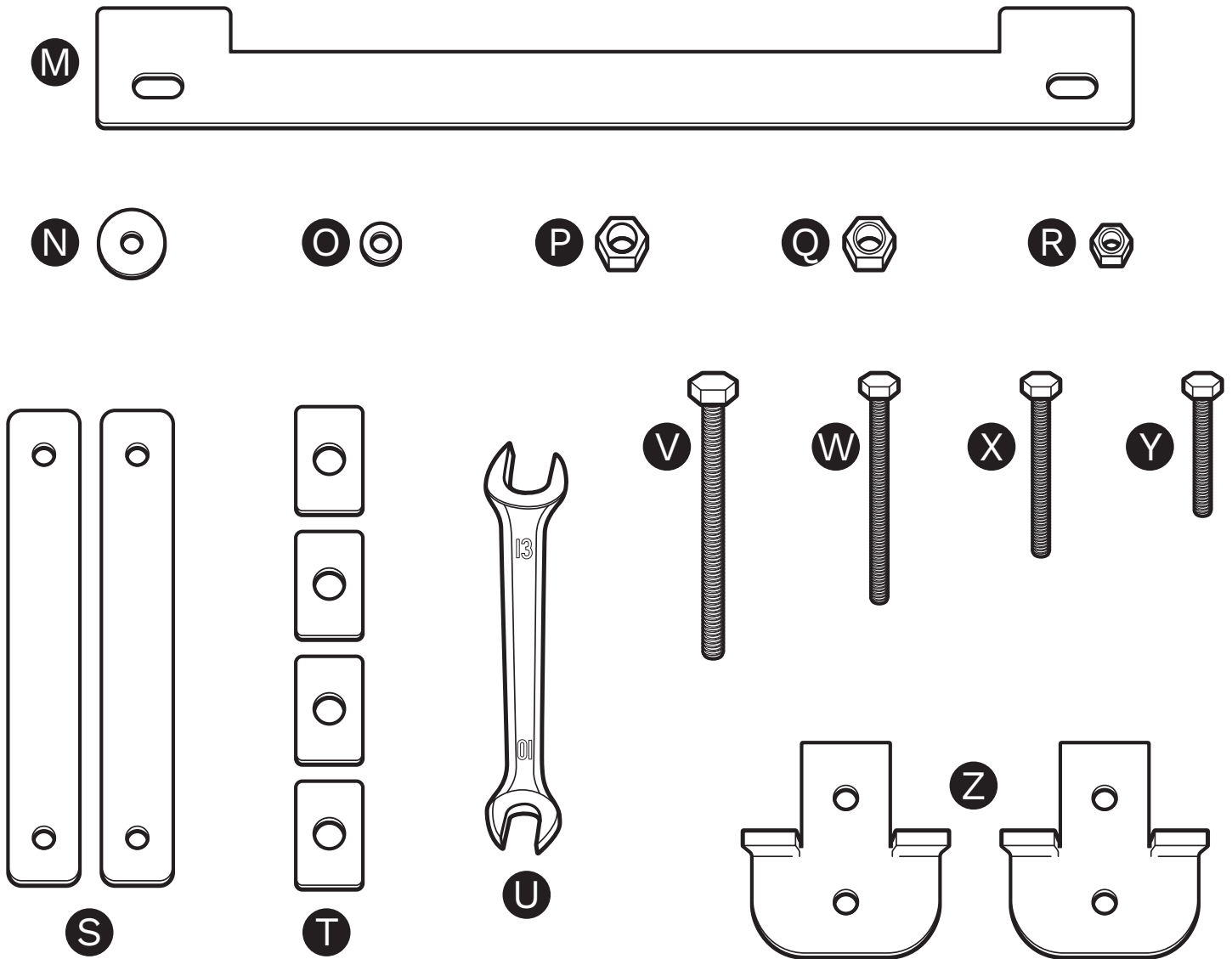
Accessory Pack:

- G. 2 x Roosting Bars
- H. 2 x Wheel Arms

- I. 2 x Wheels
- J. 1 x Floor Brace

- K. 2 x Handles
- L. 4 x Tie Down Braces

Included in your Mobile Chicken Coop



Accessory Pack:

M. 1 x U Brace

N. 10 x M8 Washers

O. 80 x M6 washers

P. 2 x M8 Nuts

Q. 4 x M8 Lock nuts

R. 40 x M6 locknuts

S. 2 x I Brace

T. 4 x Wheel Arm Brace
Plates (20x30mm)

U. 2 x Wrench

V. 2 x M8 x 80mm Bolts

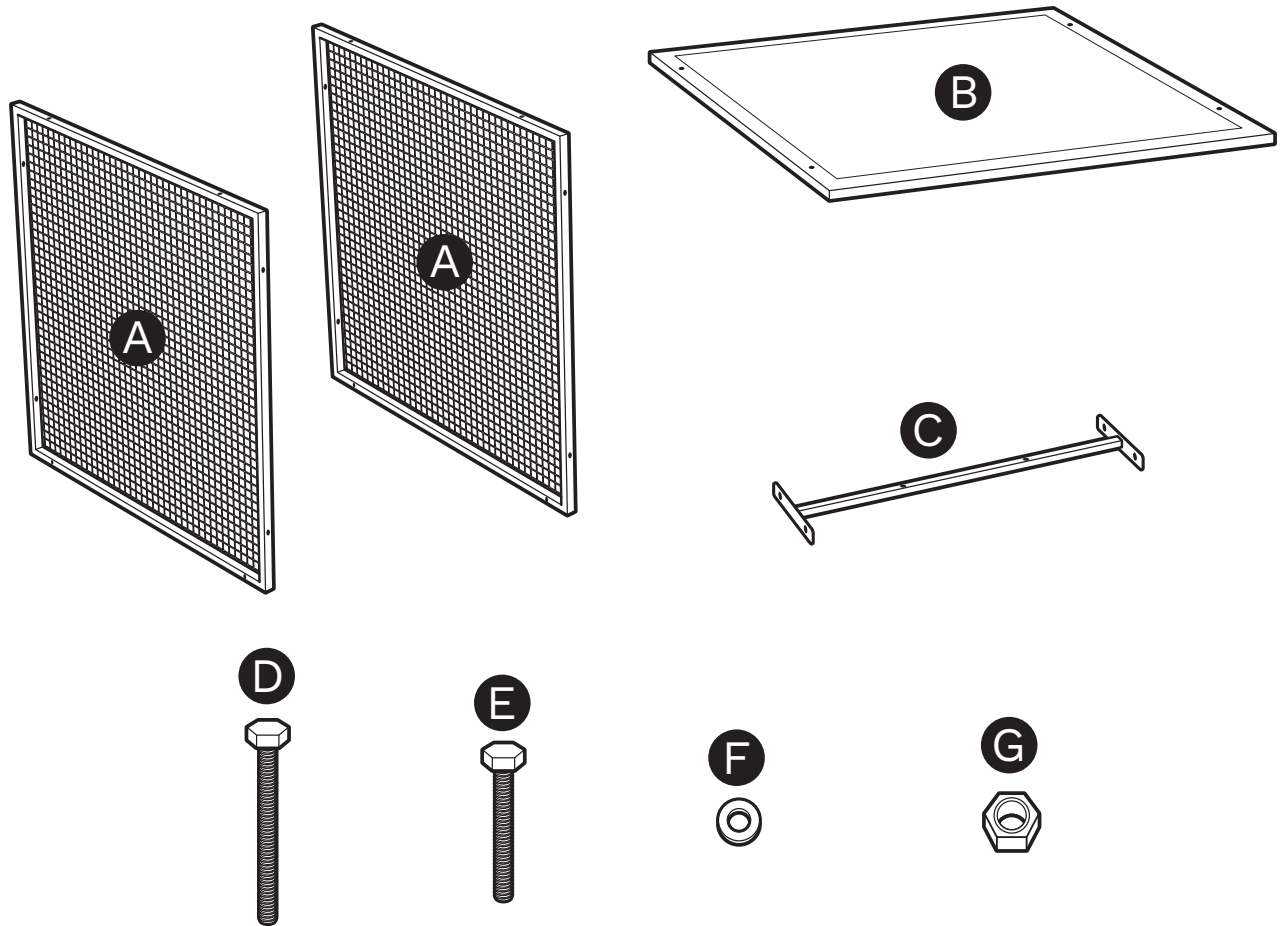
W. 4 x M6 x 60mm Bolts

X. 24 x M6 x 50mm Bolts

Y. 12 x M6 x 35mm Bolts

Z. 2 x Wheel Arm Catch

Parts in each Chicken Coop Extension Module (If purchased)



Accessory Pack:

A. 2 x Mesh Wall Panels
B. 1 x Steel Sheeted
MIDDLE Roof Panel
(short)

C. 1 x Floor Brace
D. 10 x M6 x 50mm Bolts
E. 4 x M6 x 35mm Bolts

F. 28 x M6 washers
G. 14 x M6 locknuts

Assembly

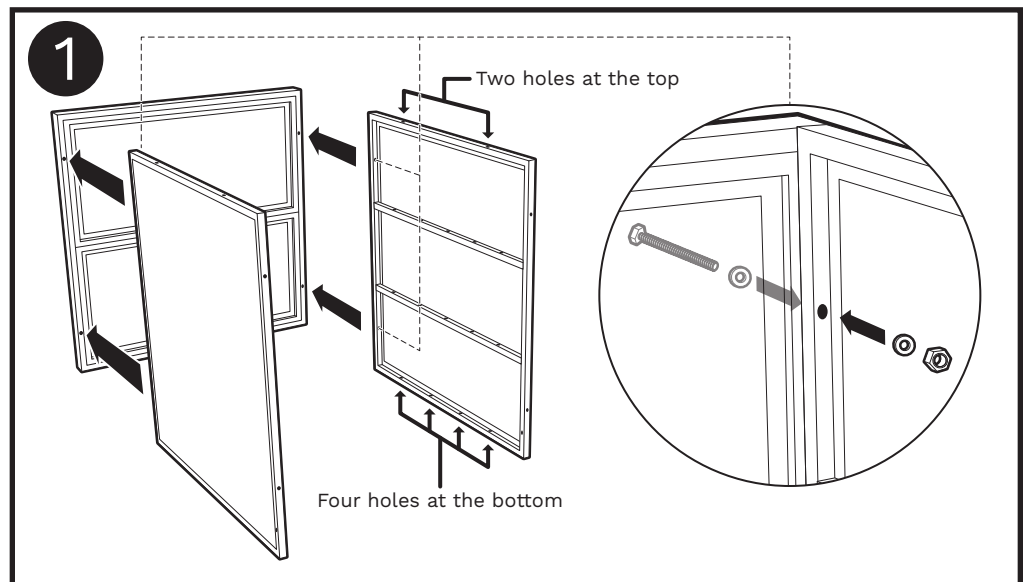
Assembly Notes:

- When assembling, use a washer on both the head side of the bolt and the nut side (unless otherwise stated). Bolt heads go to the outside.
- All panels should face outwards – the color-side of the steel sheet and the mesh side of the mesh panels must face outwards.
- Parts of your unit are covered in protective plastic for transit. Please remove it before use or this will void your warranty. Gently score the plastic around the stainless steel brackets where needed for easy removal.
- Please take note of when to snugly tighten bolts throughout each step and ensure you don't over-tighten.
- If you live in a windy area, please make provisions to secure your chicken coop appropriately
- **NOTE:** DO NOT clean your unit with bore water, well water, bleach or any other chemicals that will affect the rust prevention treatments on the components of this unit or your warranty will be void.

1 - Assemble the steel sheeted door and the 2 x steel sheeted wall panels using the **M6 x 50mm** bolts/locknuts/washers

The wall panels must have the 4 holes facing the bottom and 2 holes at the top.

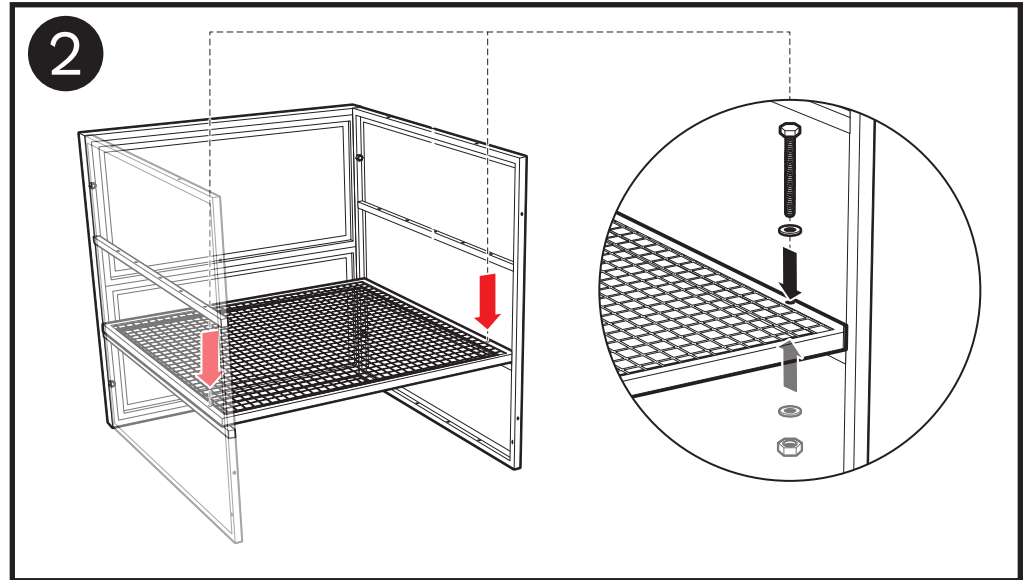
Ensure the panels are running square to the gate and **snugly tighten these 4 bolts at this stage.**



Assembly

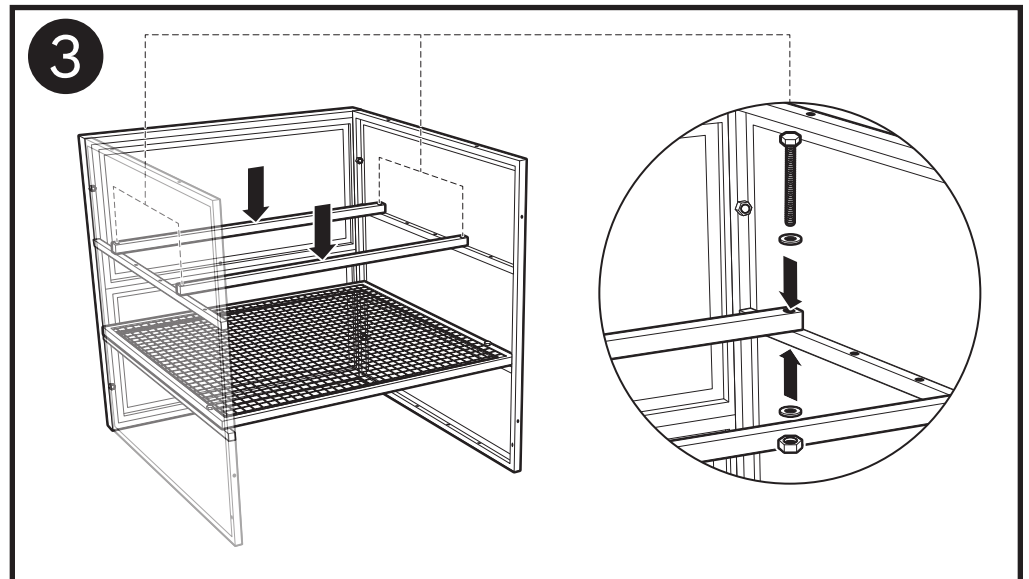
2 - Assemble the Mezzanine Floor using **2 x M6 x 50mm** bolts/locknuts/washers.

Put bolts in the front 2 holes only as marked in step 2.



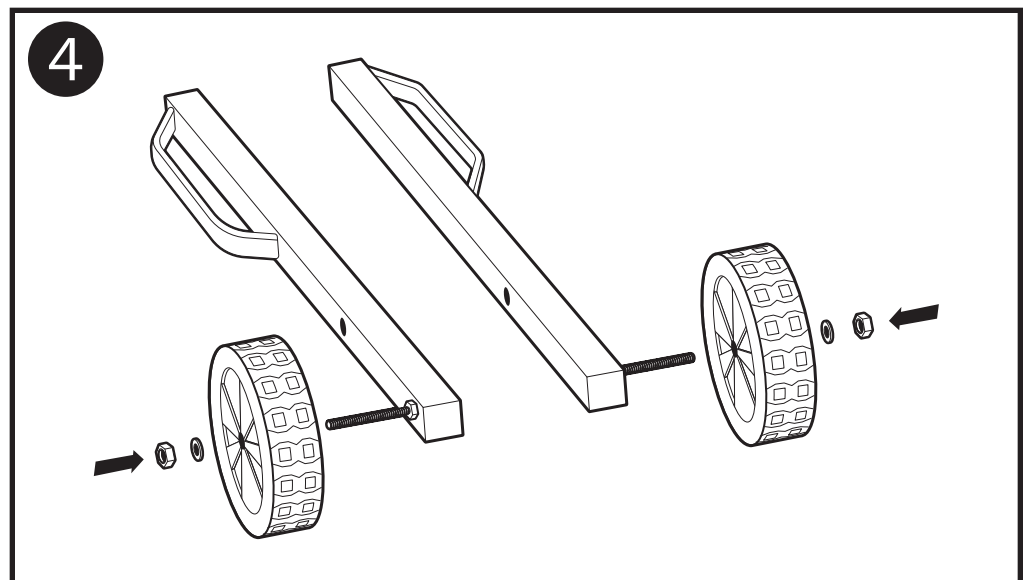
3 - Using **M6 x 60mm** bolts locknuts/washers, secure the roosting bars to the top rail. **Snuggly tighten all bolts at this stage.**

NOTE - If you have larger chickens that require more head room, you can bolt the roosting bars to the underside of the mounting rails.



4 - Place the wheel on the wheel arm axle and fix with a large M8 washer and M8 locknut.

Only tighten until snug or it will affect the operation of the wheel.



Assembly

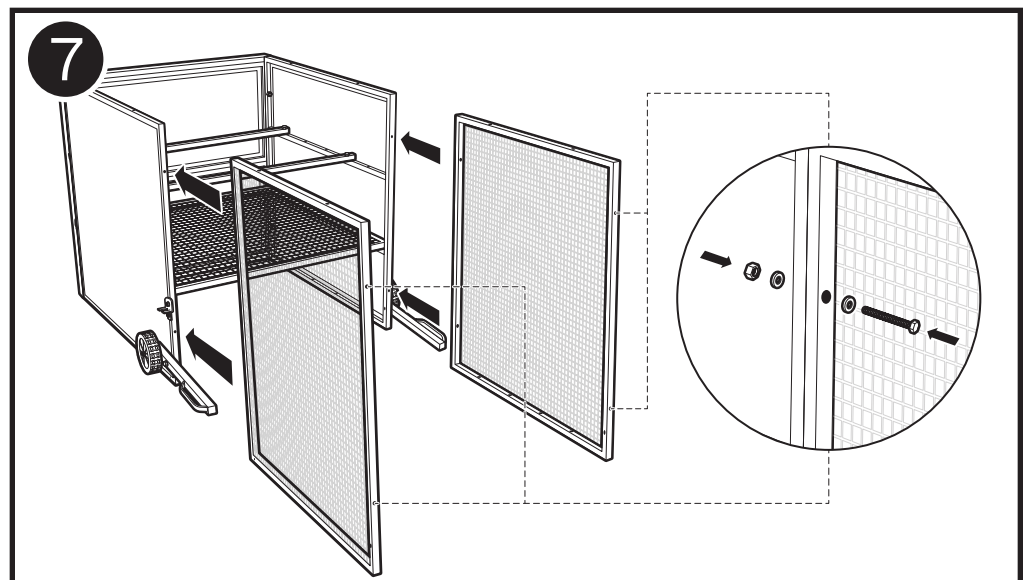
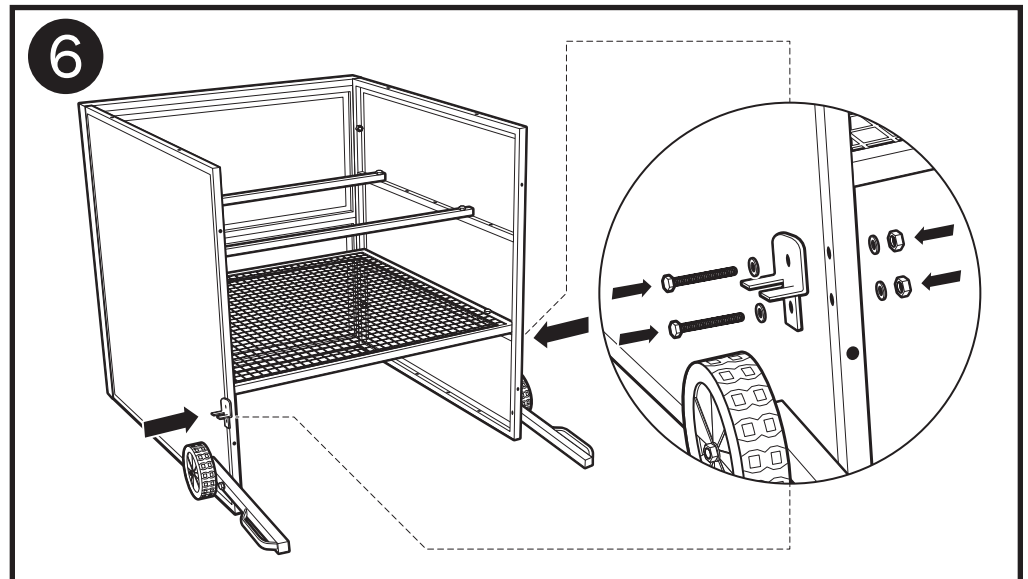
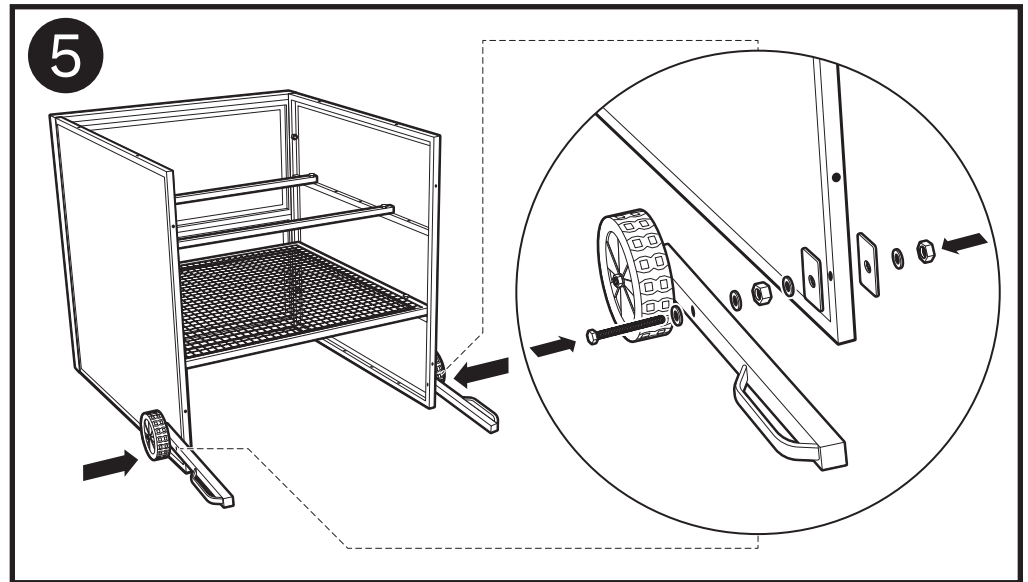
5 - Assemble the wheel arm to the open end of the steel sheeted wall panel, using the bolt hole at the bottom of the panel.

Using the M8 hardware, the fixing sequence from the outside in is: **M8 x 80mm** bolt - M8 washer - wheel arm - M8 washer - normal M8 nut - M8 washer - rectangle brace - frame - rectangle brace - M8 washer - M8 locknut.

NOTE: Tighten the wheel arm bolt snugly, but do not overtighten.

6 - Attach the wheel arm catch in the holes above the wheel arm using **M6 x 35mm** bolts and snugly tighten.

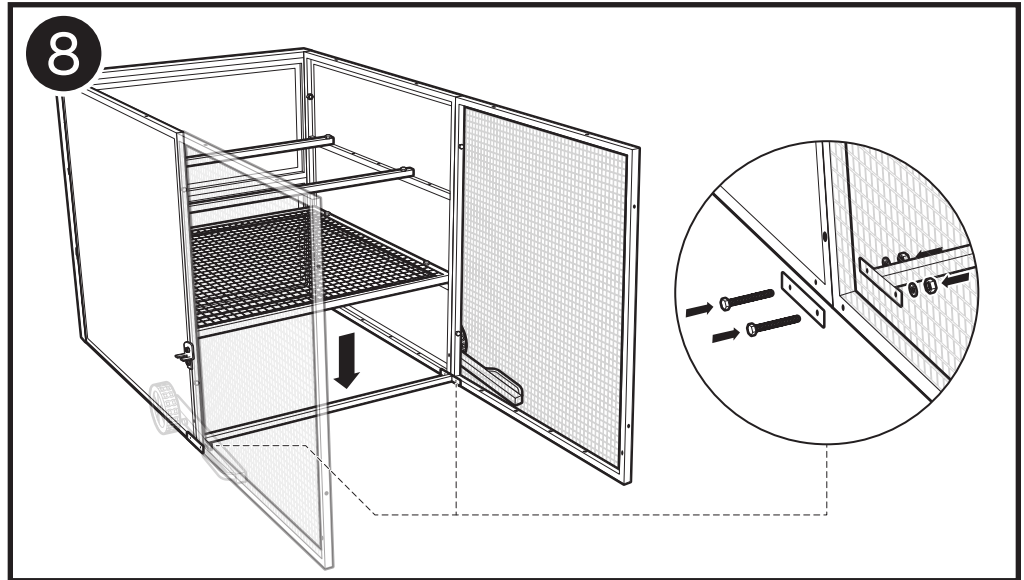
7 - Attach 2 of the mesh walls to the steel sheeted walls with **M6 x 50mm** bolts/locknuts/washers, ensuring the 4-hole side of the mesh panel is on the bottom.



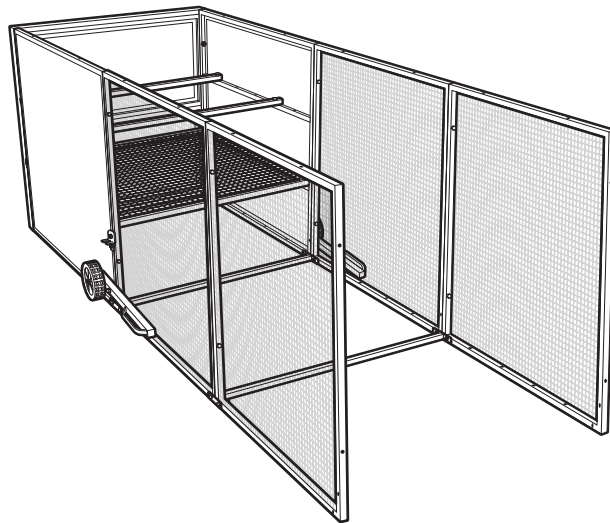
Assembly

8 - Attach the floor brace using the **M6 x 35mm** bolts/locknuts/washers, with the "I" brace on the outside and snugly tighten all bolts at this stage.

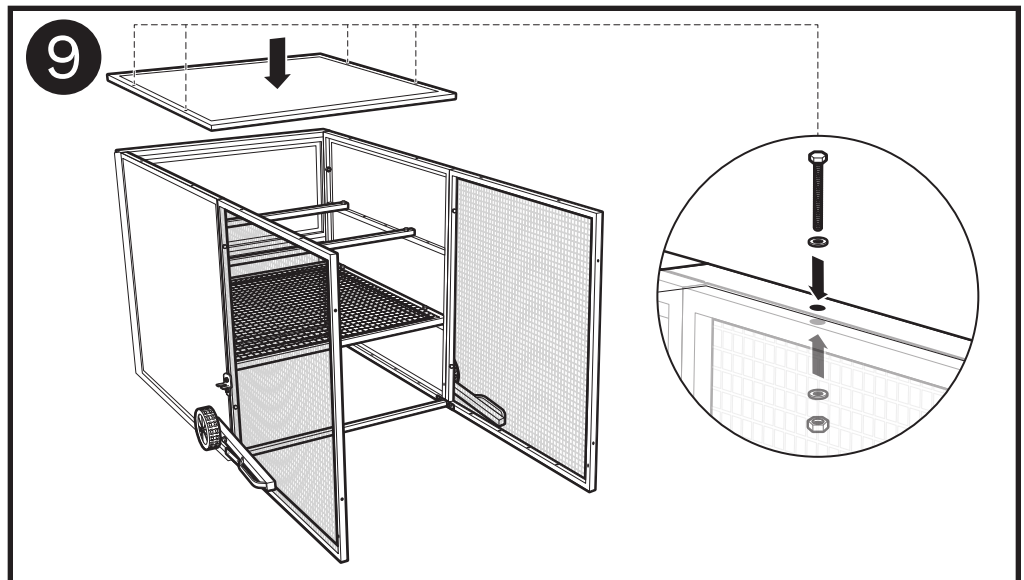
NOTE – Do not use washers on the head side (outside) of the bolt in this location.



NOTE: If you have purchased a Chicken Tractor Extension Module to make a 3 or 4 panel unit, attach the next mesh panels and brace in the same fashion as the previous step.

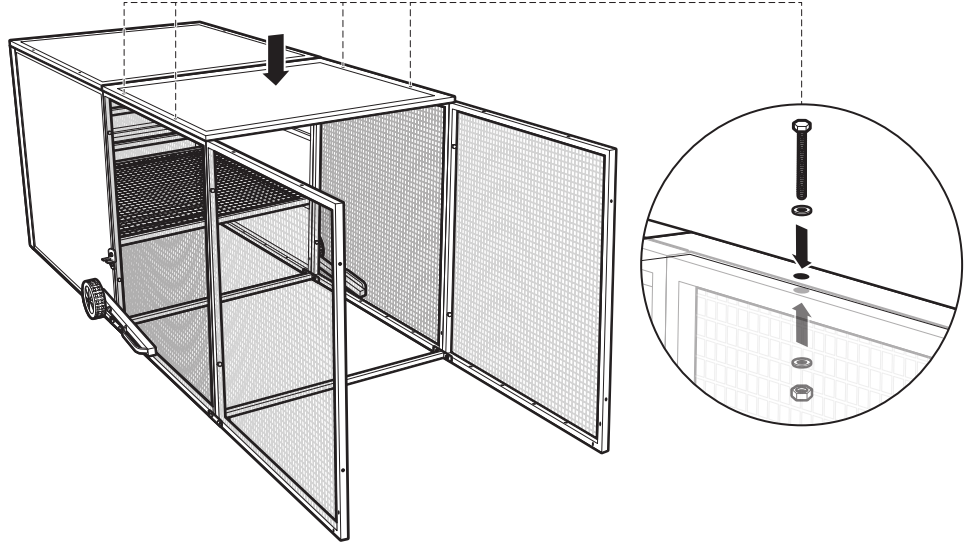


9 - Attach an end roof panel to the end of the unit, using the **M6 x 50mm** bolts/locknuts/washers, snugly tightening all bolts at this stage.

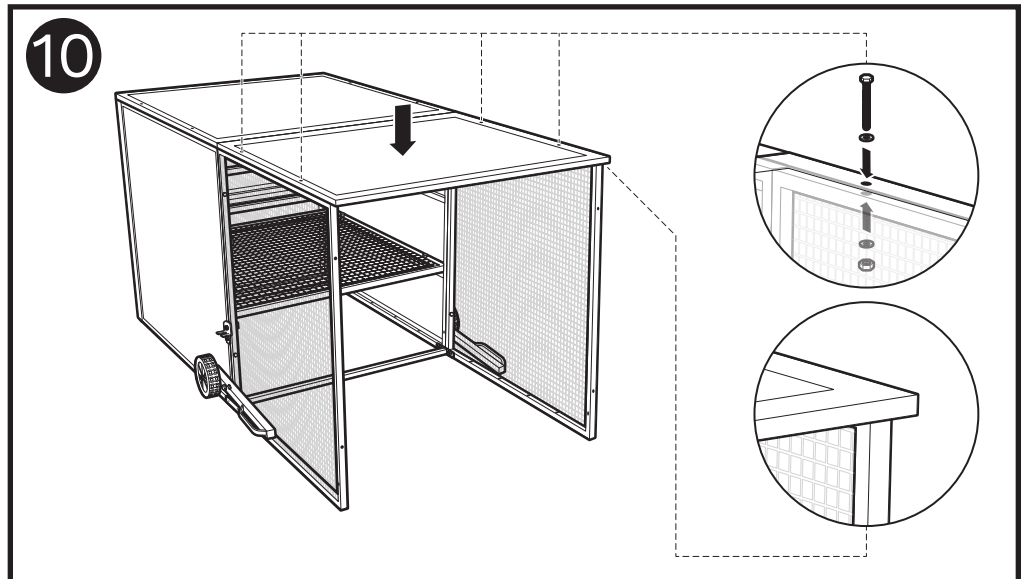


Assembly

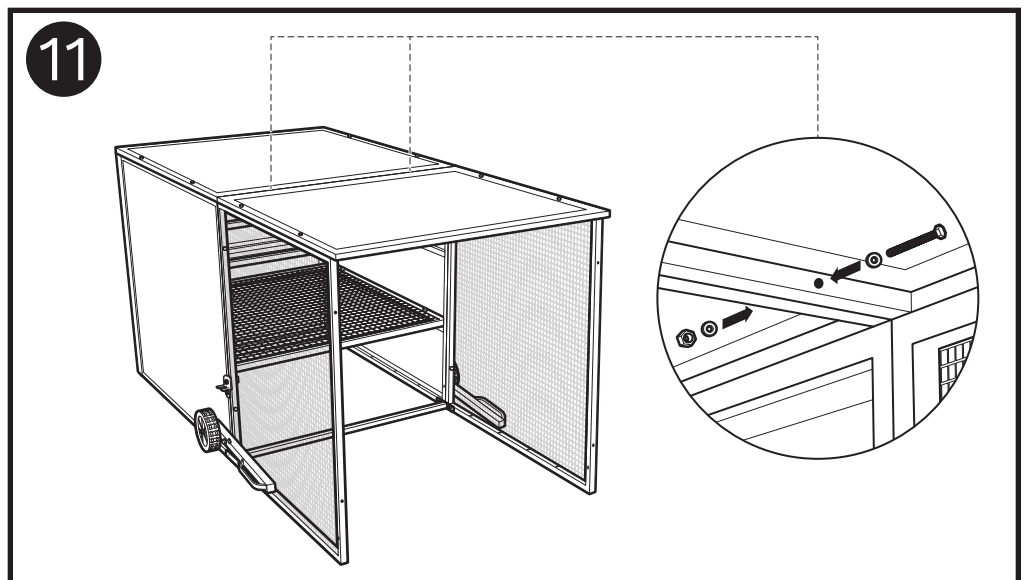
NOTE: If you have a 3 or 4 panel unit, identify the 840 x 840 middle roof panel/s and attach in the middle section/s, then continue to step 10.



10 - Fix the other end roof panel in the same manner as the previous steps, noting the overhang at the front.



11 - Fix the roof panels together on the underneath of the roof using **M6 x 50mm** bolts/locknuts/washers and **snuggly tighten**.

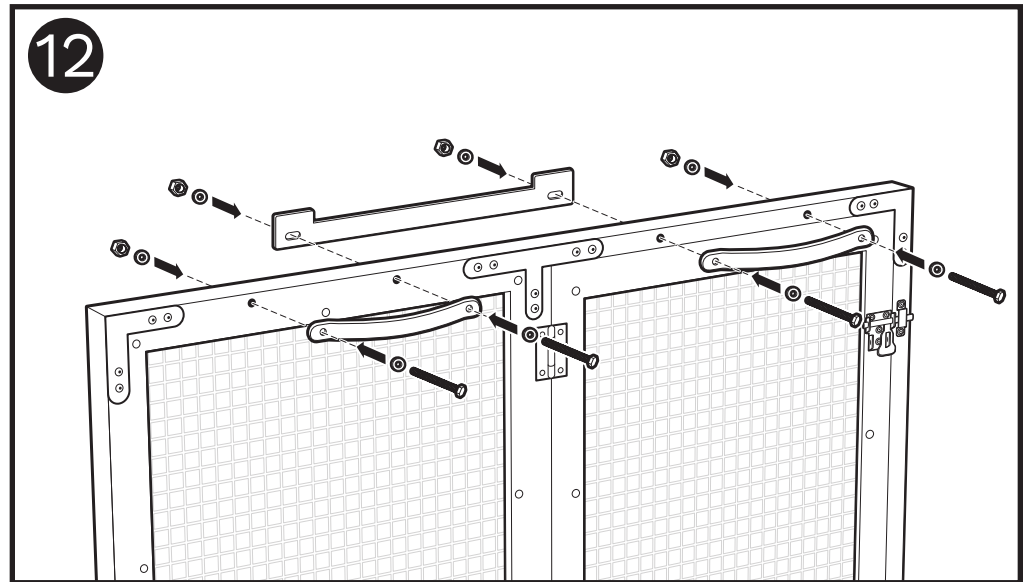


Assembly

12 - Attach the handles to the mesh door using **M6 x 35mm** bolts and attach the U-shaped brace plate on the back side of the top of the door frame.

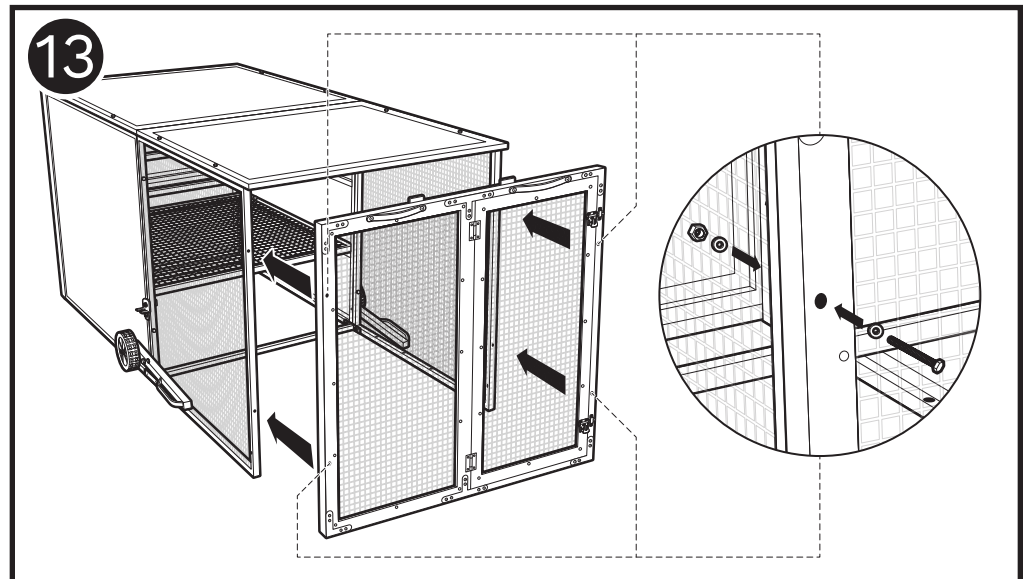
Ensure the tabs of the U-shaped brace are sticking UP and bolted using the inner bolt holes of the handles.

****The tabs that protrude past the top of the door frame fit on the inside of the roof panel frame ****

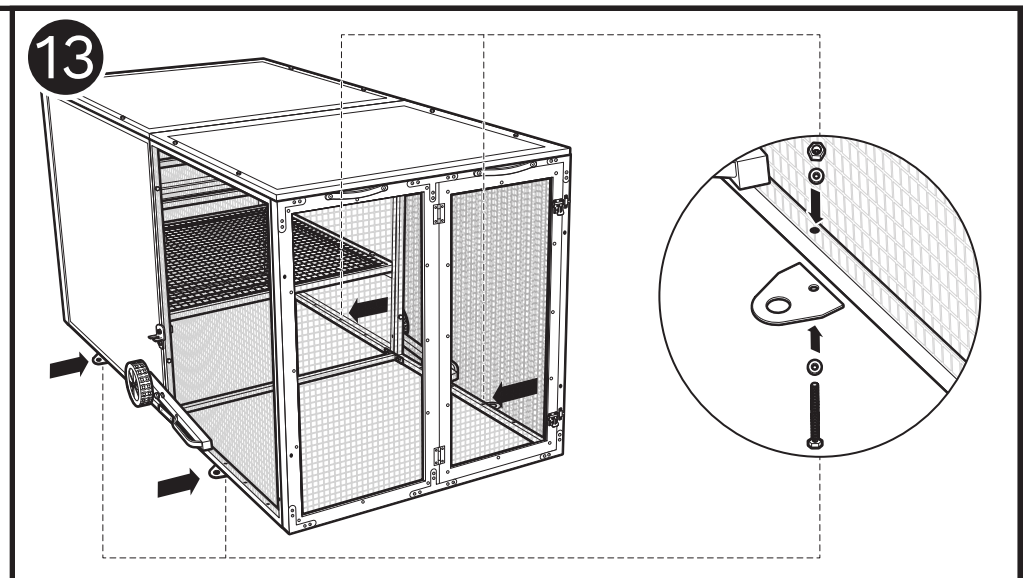


13 - Attach the mesh door to the end of the unit ensuring the door is on the right-hand side, using the **M6 x 50mm** bolts/locknuts/washers.

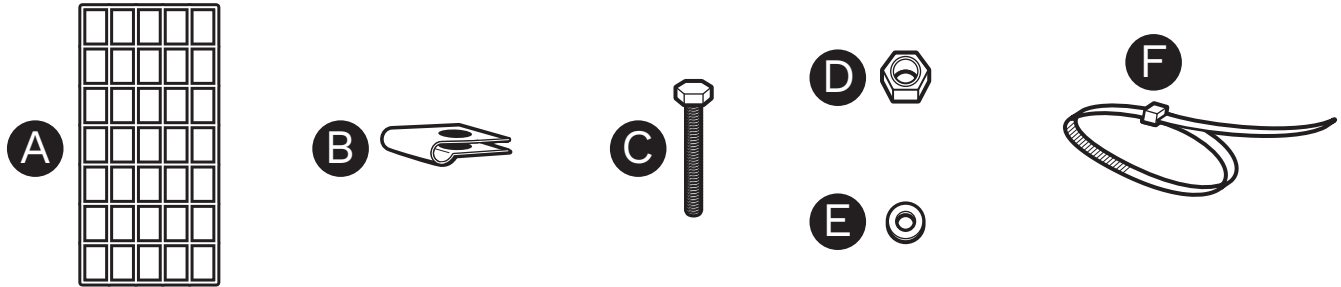
****Snuggly tighten all bolts now, ensuring not to overtighten****



NOTE: If required, attach the 4 tie down plates to the bottom rail of the frame, 2 plates evenly spaced on each side facing outside. If attaching a mesh floor, use the mesh floor bolts to secure the plates.



Mesh Floor Assembly (if purchased)

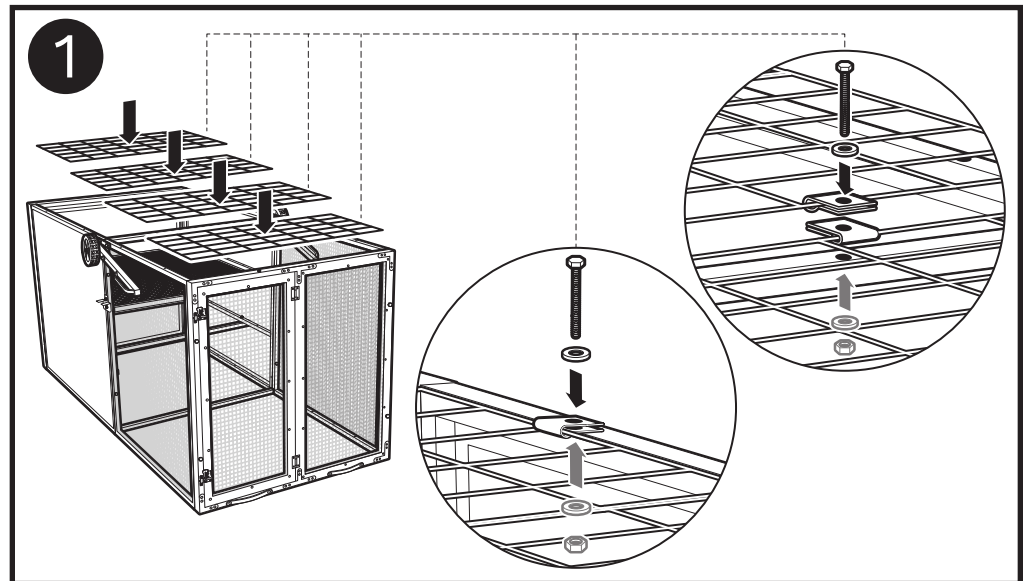


Mesh floor kits contain:

- A. Mesh floor panels
- B. Clips to attach to the frame
- C. M6 Stainless steel bolts
- D. Locknuts
- E. Washer
- F. Black Zip-Ties

1 - Carefully turn your unit upside down to fix the flooring in place. For ease, bolt the short ends of the mesh to the outside walls of the frame first, then bolt the sides to the floor braces.

At the floor braces, overlap 2 clips (facing opposite ways) and bolt each side of the mesh via the same bolt and hole.



2 - Zip-Tie the 2 panels between the floor brace together (be careful not to over tighten)

